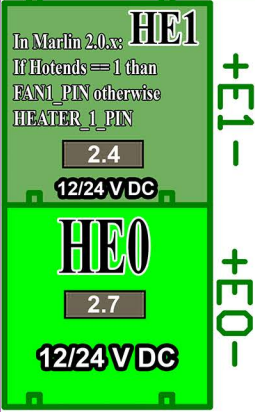
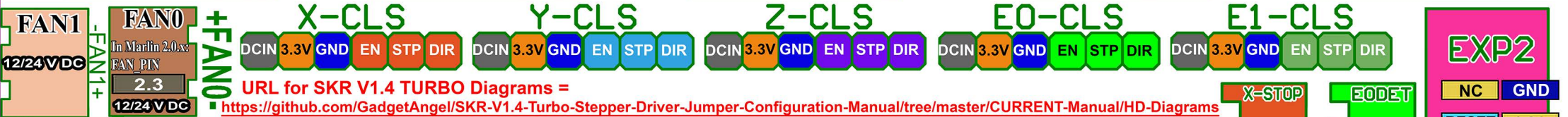


V_R; V_R -location depends on Driver Board



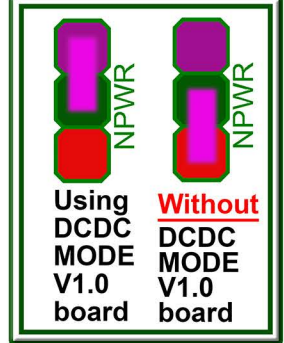
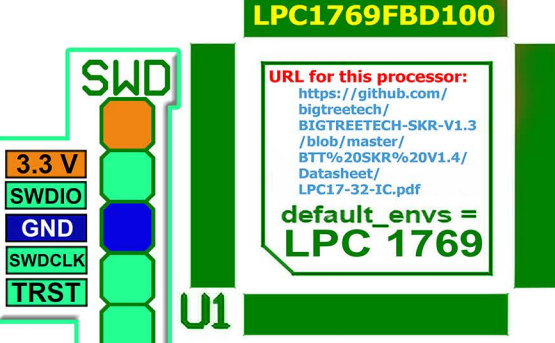
Marlin 2.0.x Firmware Changes

In Platformio.ini file change: `default_envs=LPC1769`

In Configuration.h file change:

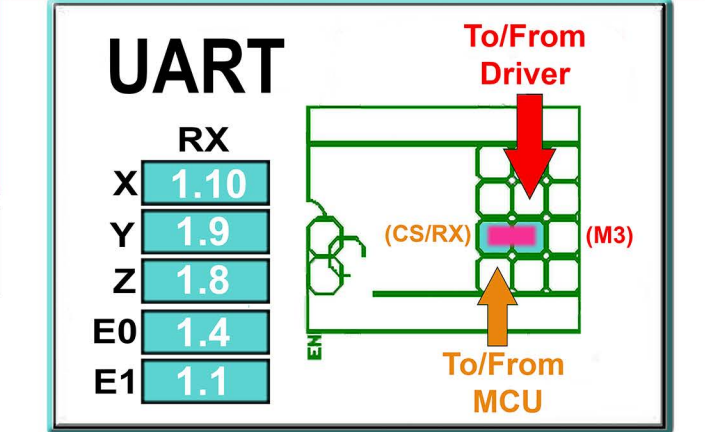
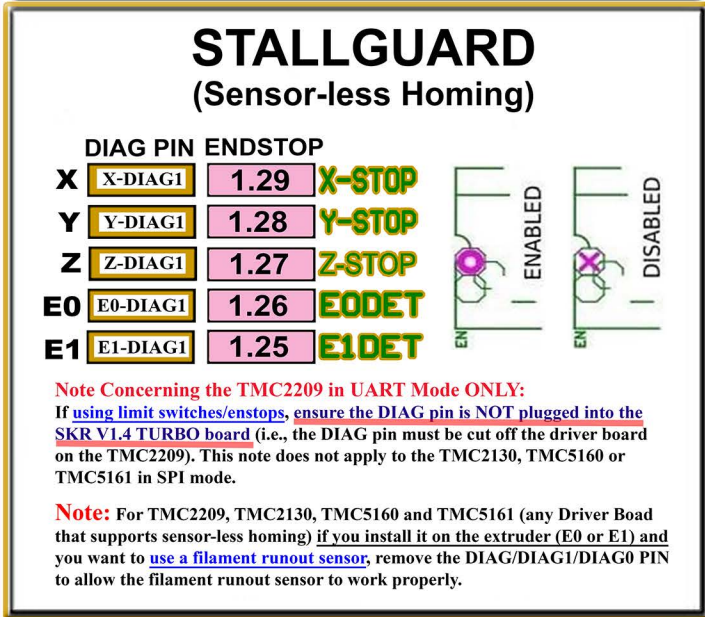
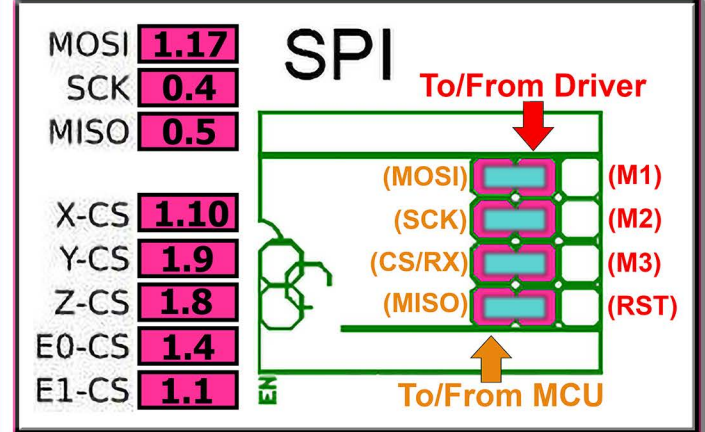
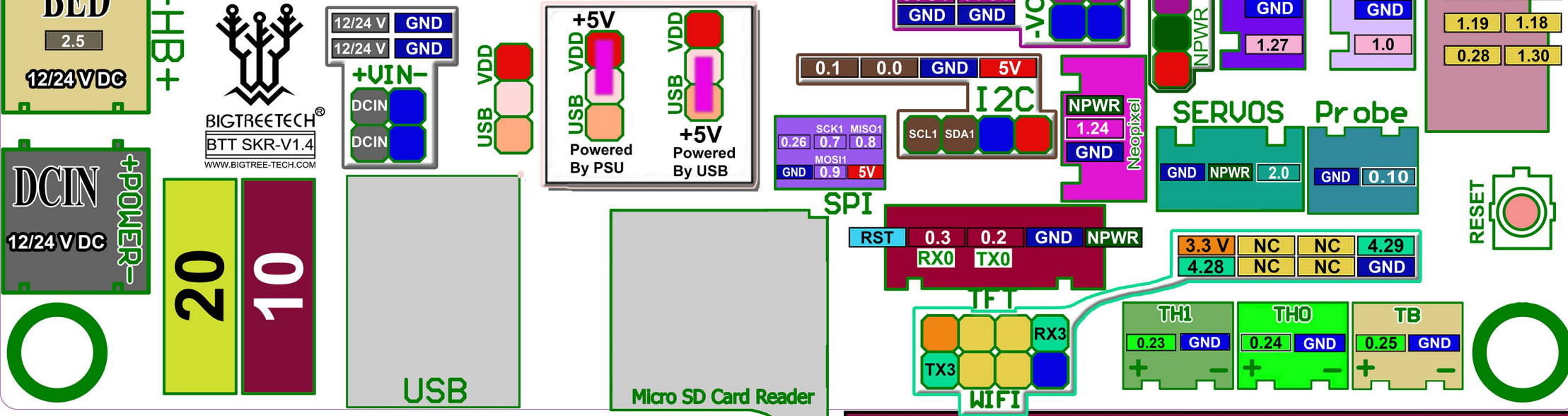
```
#define SERIAL_PORT -1
#define SERIAL_PORT_2 0
#define MOTHERBOARD BOARD_BTT_SKR_V1_4_TURBO
```

NOTE: Serial Port definitions in Marlin 2.0.x for SKR V1.4 TURBO board:
-1: USB Port; 0: TFT Port; 3: WIFI Port



BTT SKR V1.4 Turbo

REDESIGNED PIN MAP V1.4 TURBO BY GadgetAngel



20 For the heated bed. 10 For logic, fans, hotend heaters.

0 - MS0, M1; 1 - MS1, M2; 2 - MS2, M3

EN	STEP	DIR	EN	STEP	DIR	EN	STEP	DIR	EN	STEP	DIR								
X	2.1	2.2	2.6	Y	2.8	0.19	0.20	Z	0.21	0.22	2.11	E0	2.12	2.13	0.11	E1	1.16	1.15	1.14